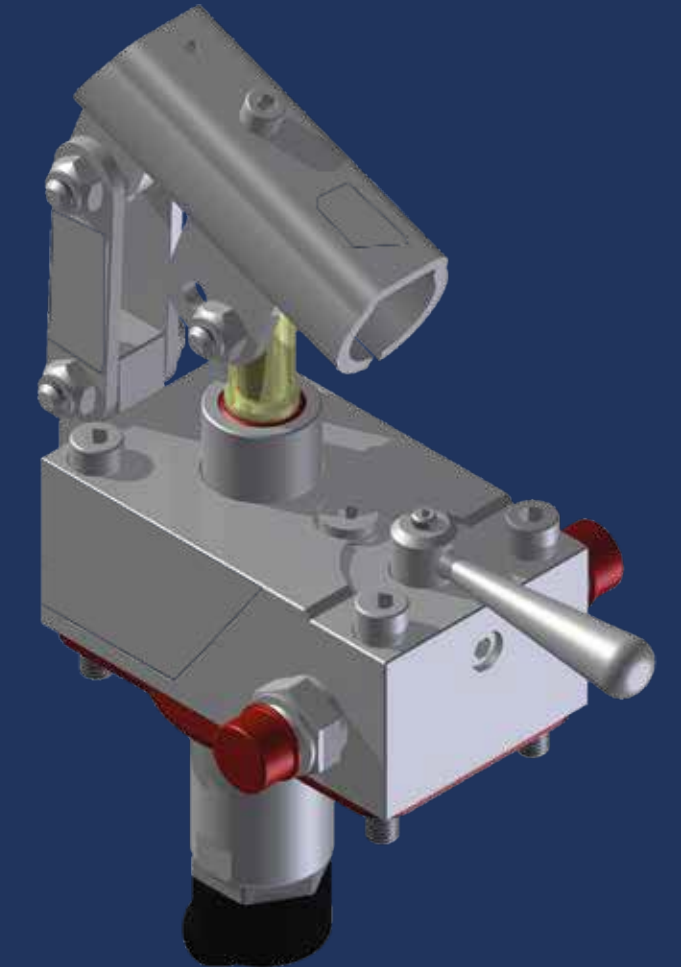
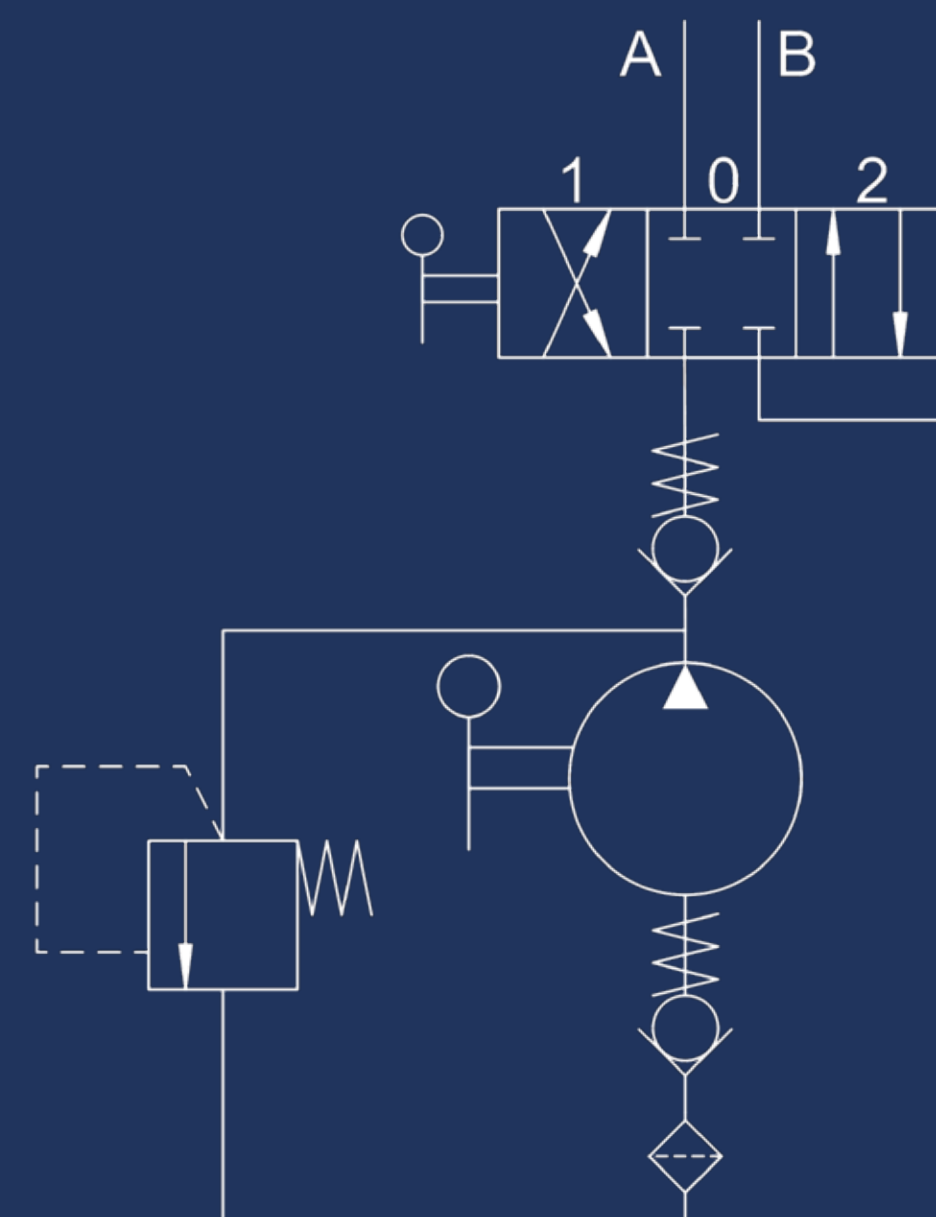
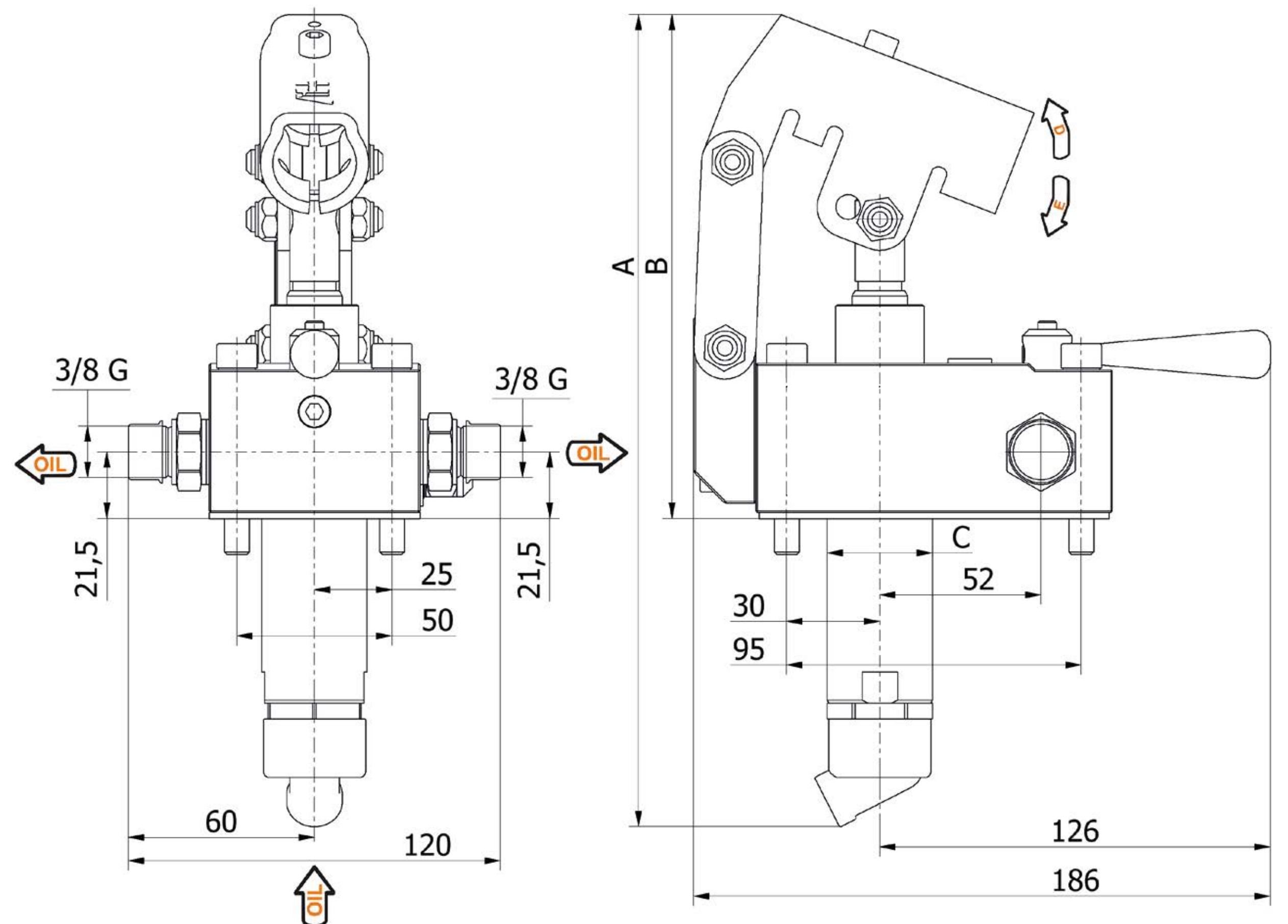
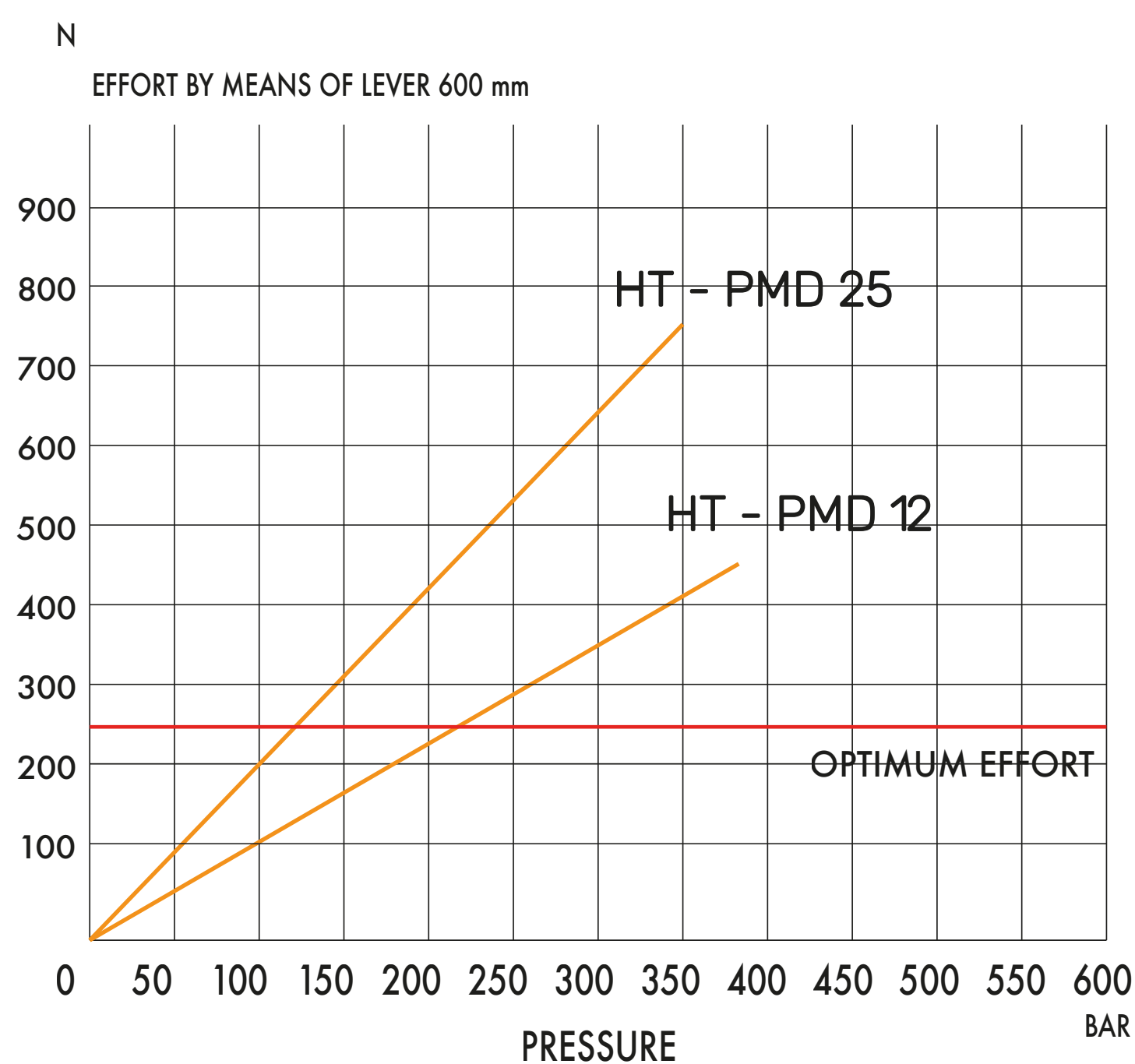


DETAILS

with 4/3 flow divider closed centre
 with pressure relief valve
 double acting hand pump for a double acting cylinder
 for fixing to tank

SPECIFICATIONS

Stainless steel AISI 316 pump body
 Stainless steel AISI 630 piston rod
 with Niploy coating (50 µm)
 Lever connection Ø 27
 Stainless steel AISI 316 external parts
 Oil tank mounting kit including
 Pressure relief valve standard
 setting: 100 bar
 Triple sealing system made to prevent
 any oil leakage and sweating onto the piston rod

HYDRAULIC DIAGRAM

EFFORT DIAGRAM


DISPLACEMENT cm ³	A mm	B mm	C mm	D °	E °	ACTUAL DISPLACEMENT cm ³	PRESSURE BAR		MASS KG	CODE
							OPTIMAL	MAX		
12	253	166	34	26	31	12,095	220	380	4,400	6055.7000
25	273	172	34	30	30	25,280	120	350	4,400	6056.7000