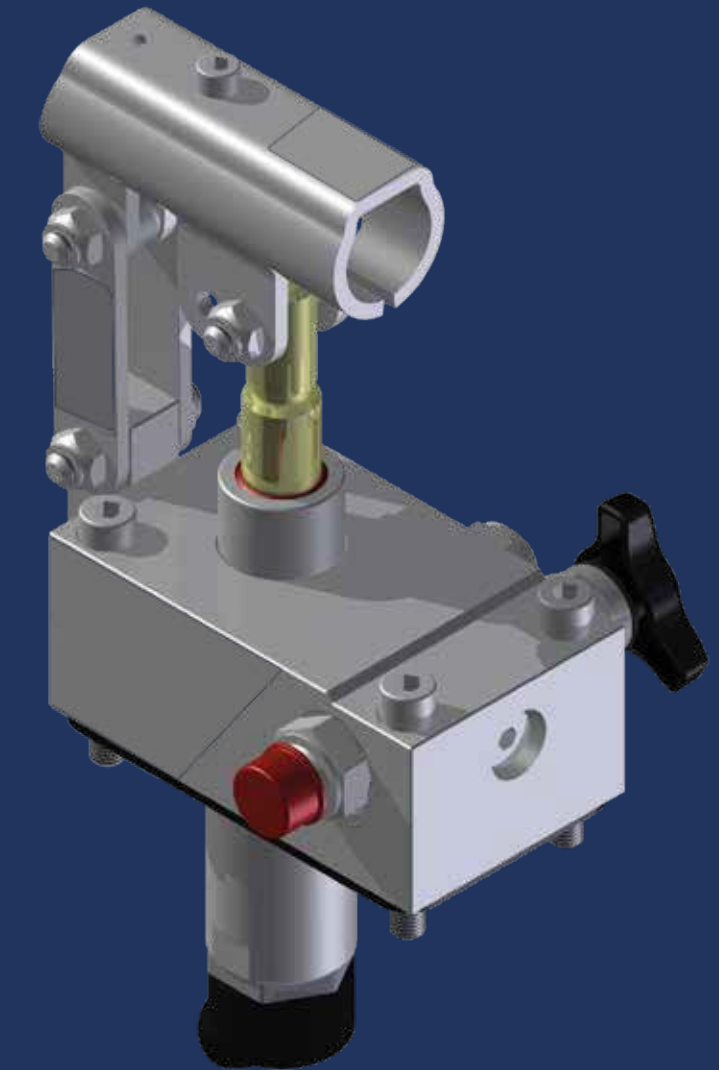
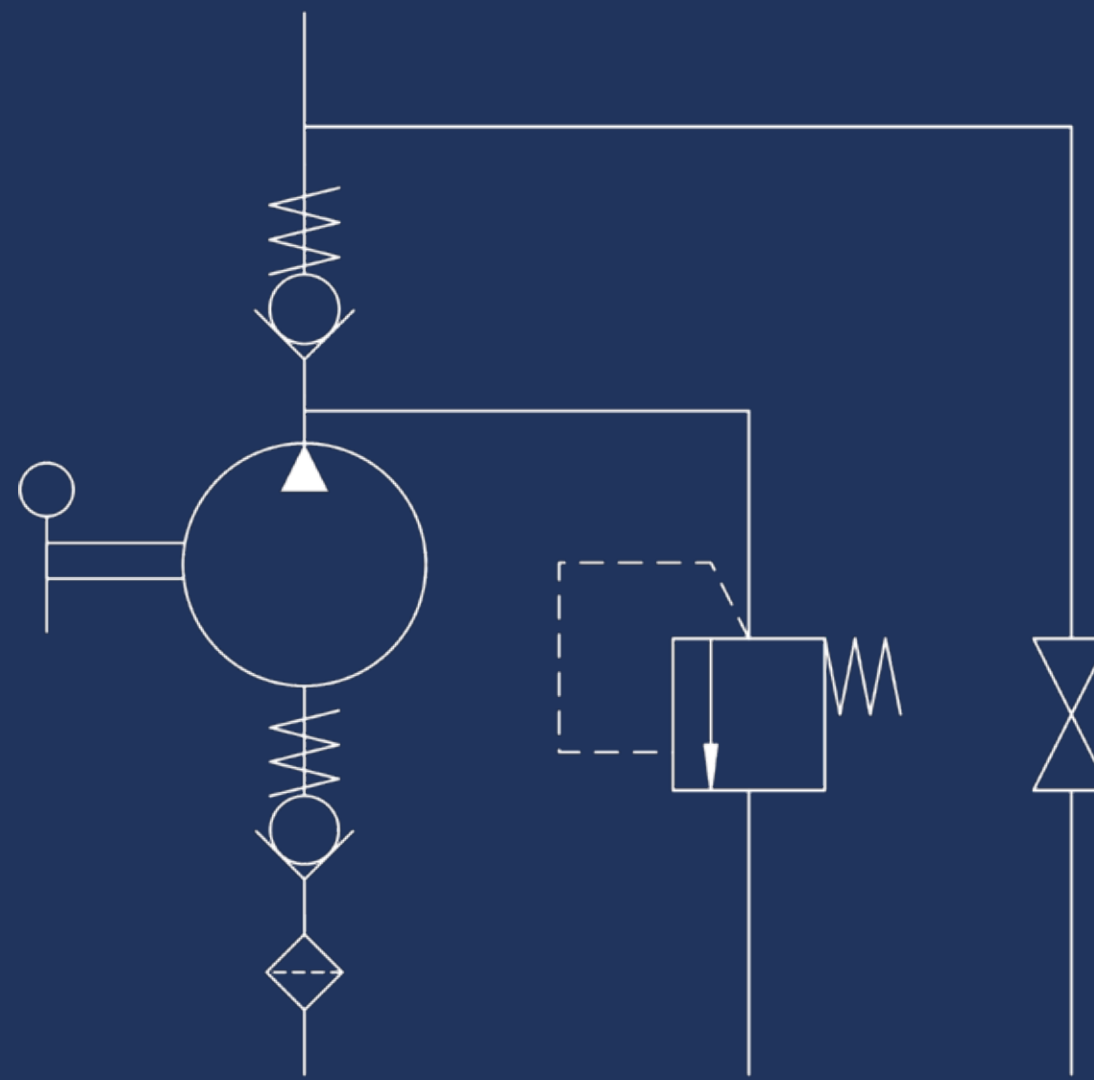
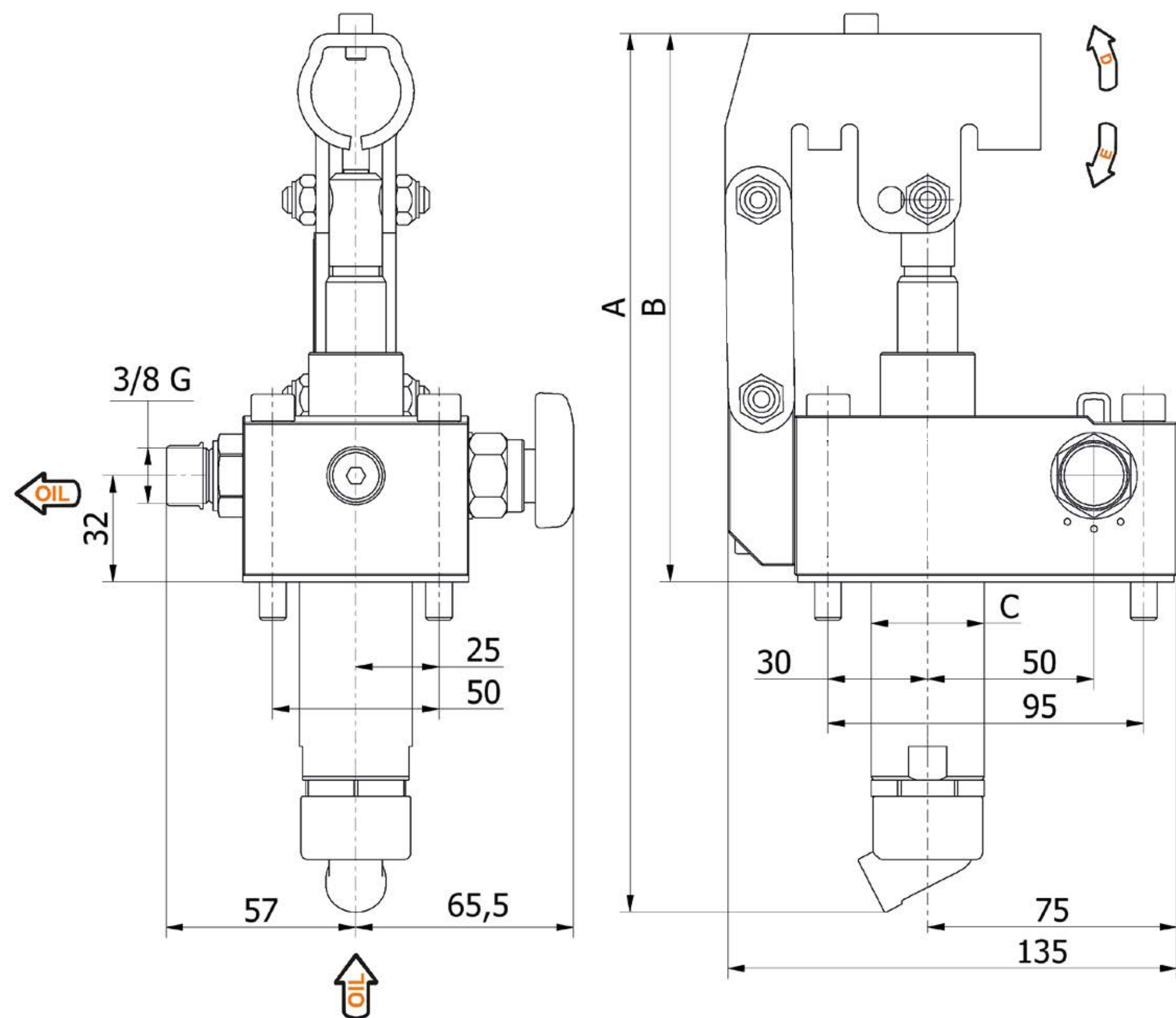
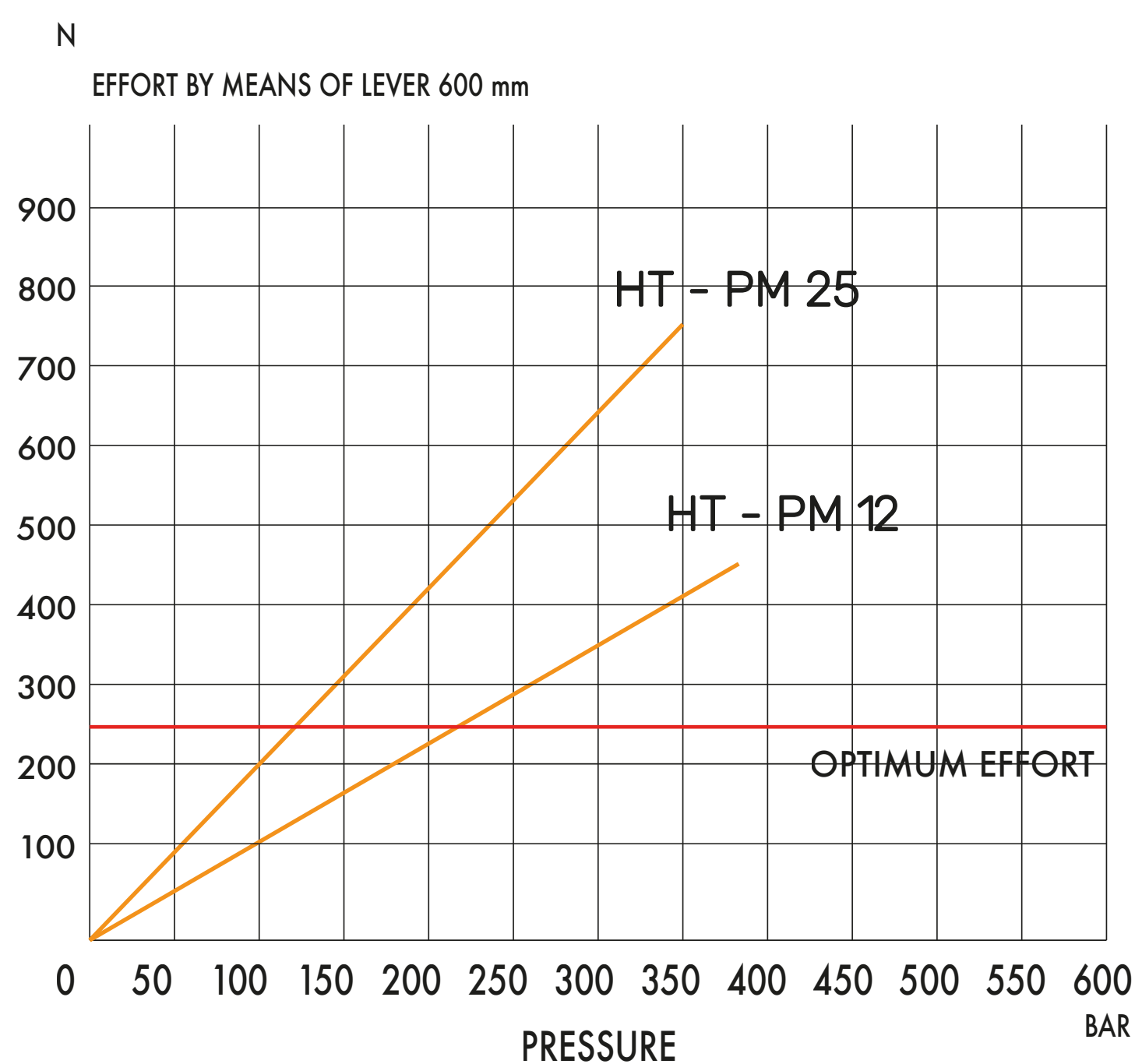


DETAILS

with release hand knob
 with pressure relief valve
 double acting hand pump for single acting cylinder
 for fixing to tank

SPECIFICATIONS

Stainless steel AISI 316 pump body
 Stainless steel AISI 630 piston rod
 with Niploy coating (50 µm)
 Lever connection Ø 27
 Stainless steel AISI 316 external parts
 Oil tank mounting kit including
 Pressure relief valve standard
 setting: 100 bar
 Equipped with non return valve on the
 outlet port
 Triple sealing system made to prevent
 any oil leakage and sweating onto the piston rod

HYDRAULIC DIAGRAM

EFFORT DIAGRAM


DISPLACEMENT cm ³	A mm	B mm	C mm	D °	E °	ACTUAL DISPLACEMENT cm ³	PRESSURE BAR		MASS KG	CODE
							OPTIMAL	MAX		
12	253	166	34	26	31	12,095	220	380	4,200	6050.7000
25	273	172	34	30	30	25,280	120	350	4,200	6051.7000