



HANSA-TMP

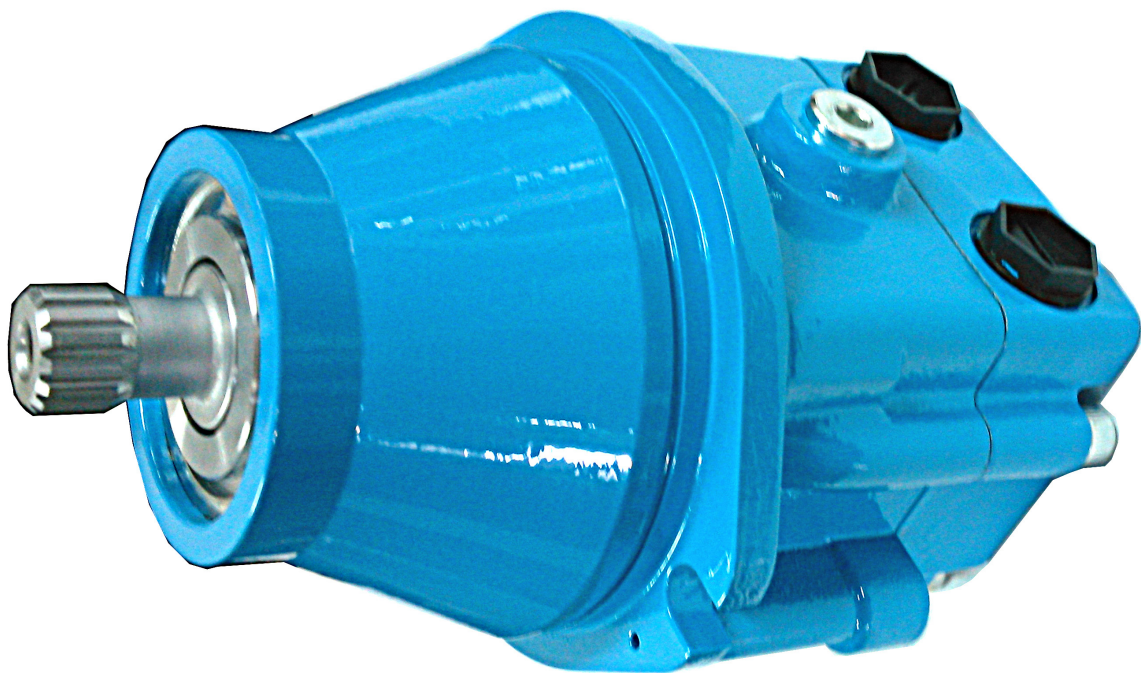
MANUFACTURING YOUR SUCCESS

HT 16 / M / 4506 / 0621 / E

THE PRODUCTION LINE OF HANSA-TMP

**Variable Displacement
Medium Duty Axial Piston Plug-in Motor
for Open and Closed Loop System**

**TMV 650
(25 ÷ 45 cm³/rev.)**

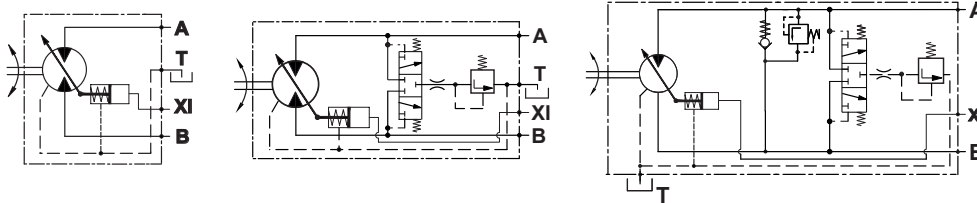


CONTENTS

General Information.....	4
Section View.....	5
Specification Data.....	6
Overall Dimensions and Ports.....	7 - 9
Mounting Shafts.....	10
Ordering Code.....	11
Valve Options.....	12 - 13
Shaft Types and Dimensions.....	14 - 15
Speed Sensors.....	16 - 17
Fluid Viscosity Limits.....	18
Basic and Application Formula.....	19

Hydraulic Motors Type TMV 650

Variable Displacement Medium Duty Axial Piston Plug-in Motors



open drain line is always required

APPLICATION

- » Agricultural machines
- » Road building machines
- » Food industry machines
- » Swing drives
- » Hydraulic transmissions
- » Special vehicles

OPTIONS

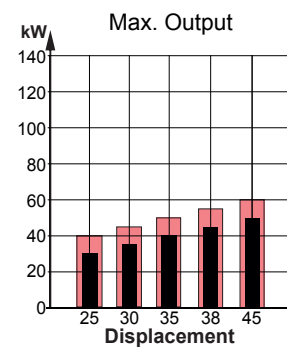
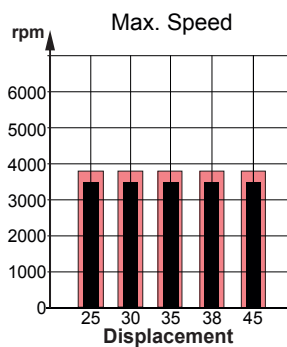
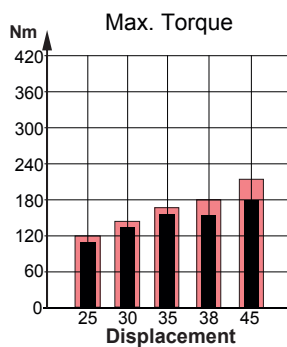
- » Swash plate
- » Port options
- » Shaft options
- » Integrated valves

ADVANTAGES

- » Smooth operation
- » High power density
- » Compact size

GENERAL

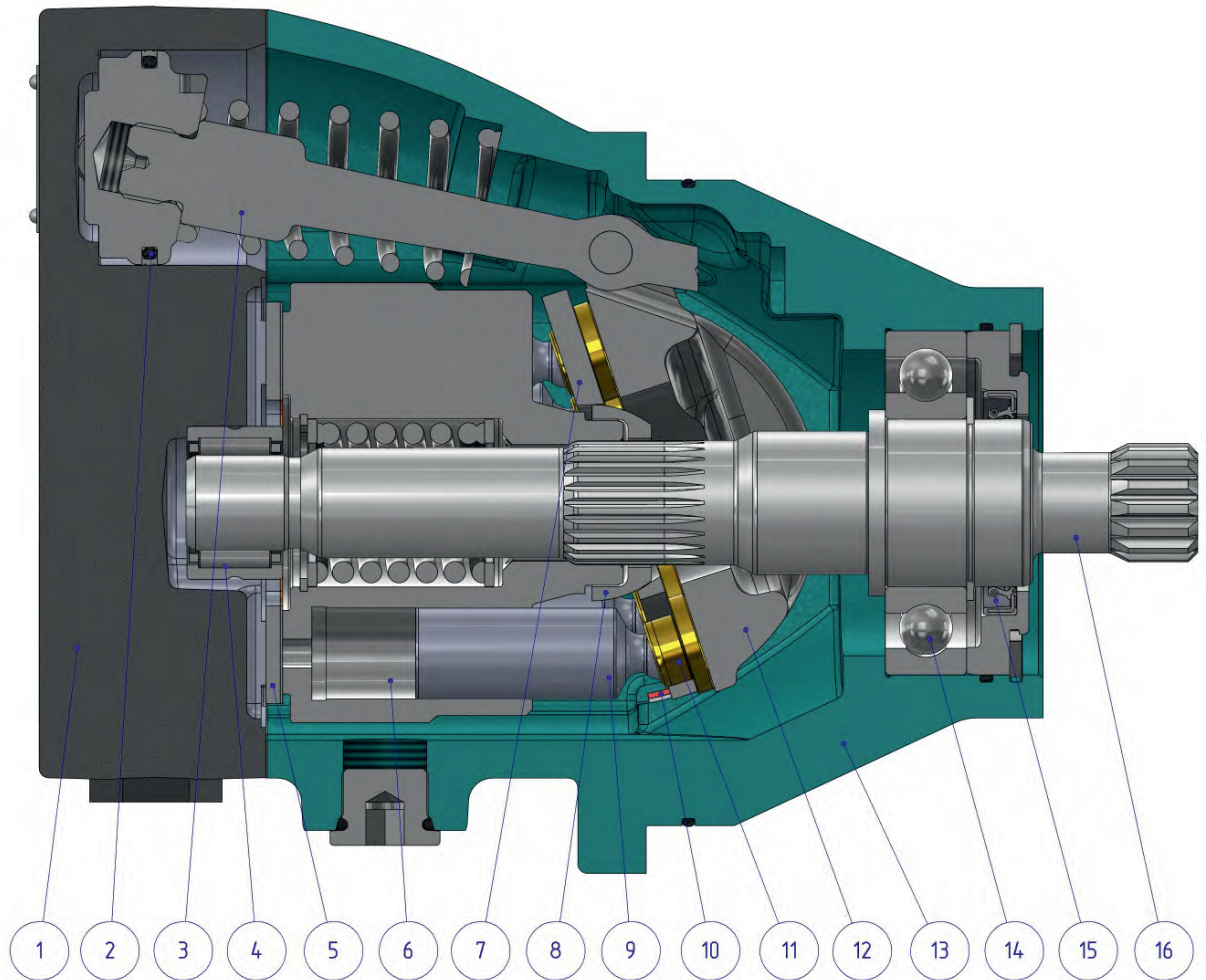
Displacement,	cm ³ /n	2÷45
Max. Speed,	n/min.	3500
Max. Torque,	Nm	179
Max. Output,	kW	50
Max. Pressure Drop,	bar	280
Max. Oil Flow,	lpm	160
Min. Speed,	n/min.	500
Fluid	Mineral based - HLP(DIN 51524) or HM(ISO 6743/4)	
Temperature Range,	°C	-40÷82
Optimal Viscosity Range,	mm ² /s	12÷68
Filtration	ISO code 18/16/13 (Min. recommended fluid filtration of 10 micron)	



Intermittent values

Continuous values

SECTION VIEW



1. Cast iron end cover

2. High pressure displacement control system seal

3. Displacement control system

4. Needle bearing

5. Bimetal distributor

6. Cylinder block

7. Retainer plate

8. Hardened sphere

9. Pistons

10. Cradle plain bearing

11. Piston shoes

12. Hardened cradle

13. Cast iron body

14. Ball bearing

15. Shaft seal

16. Hardened shaft

The medium duty design of the TMV 650 is dual displacement motor with direct control for open and closed circuits. The compact construction is cost effective and has high power / weight ration. The swash plate insures low level of pulsation and noise.

SPECIFICATION DATA

Type	TMV 25	TMV 30	TMV 35	TMV 38	TMV 45
Max. Displacement cm ³ /n.	25	30	35	38	45
Max. Speed at Cont.	3500	3500	3500	3500	3500
Max. Displ. n/min. Int.*	3900	3900	3900	3900	3900
Max. Speed at Cont.	4000	4000	4000	4000	4000
Min. Displ. n/min. Int.*	4500	4500	4500	4500	4500
Max. Torque *** Cont.	111	134	156	151	179
Nm Int.**	119	143	167	182	215
Output, Cont.	30	35	40	45	50
kW Int.**	40	45	50	55	60
Max. Pressure Cont.	280	280	280	250	250
bar Int.**	300	300	300	300	300
	Peak****	350	350	350	350
Max. Oil Flow Cont.	90	105	125	135	160
l/min Int.*	100	120	140	150	180
Speed Shifting Pressure					
Minimum, bar	14				
Maximum, bar	70				
Permissible Shaft Load (for standard bearing)	Fa=1000				
Max. Axial ***** N					
Max. Radial ***** N	Fr=350				
Speed Constant ***** n/min. / (l/min.)	38	31.7	27.1	25	21.1
Torque Constant ***** Nm/bar	0.35	0.43	0.502	0.544	0.645
Min. Speed n/min.	500				
Max. Pressure in	5				
Drain Line bar	open drain line is always required				
Weight kg	15.6				

* Intermittent speed (flow) is for pressure up to 210 bar.

** Intermittent load: the permissible values may occur for max. 10% of motor lifetime.

*** Theoretical torque

**** Peak load: the permissible values may occur for max. 1% of every minute.

***** The calculated max values are based on the optimal direction of the forces Fr, Fa and optimal position of the shaft.

***** The constant values are used for calculation of torque and speed with motor efficiencies $\eta_v=0.95$ and $\eta_{mh}=0.9$.

1. The recommended output power for continuous operations should not be exceeded.
2. Recommended filtration as per ISO 4406 cleanliness code 18/16/13 or better. This filtration corresponds to SAE AS 4059 8A/7B/7C. Nominal filtration - 10 micron or better.
3. Recommended a premium quality, anti-wear type mineral based hydraulic oil, HLP(DIN51524) or HM(ISO6743/4).
4. Recommended oil viscosity - 12...68 cSt or see page 18.
5. Recommended maximum system operating temperature 82°C.
6. To ensure optimum life of the motor, fill it up with fluid prior to load it and run with moderate load and speed for about 10-15 minutes.

Hint: Motor Torque = Torque Constant * Pressure Drop

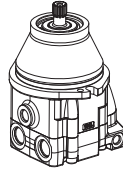
Rotation Speed = Speed Constant * Oil Flow

The constant values are mentioned for rough calculations. Motor torque and rotation speed for a particular project are depending on the real operating conditions. For more detail calculations please see formulas on page 19.

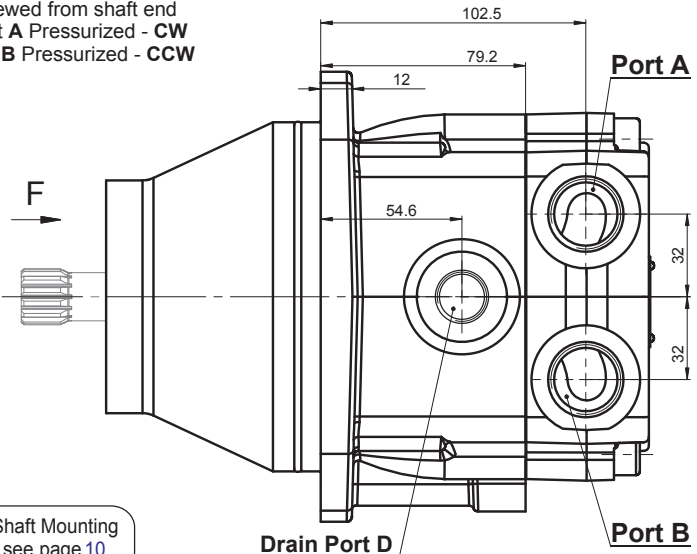
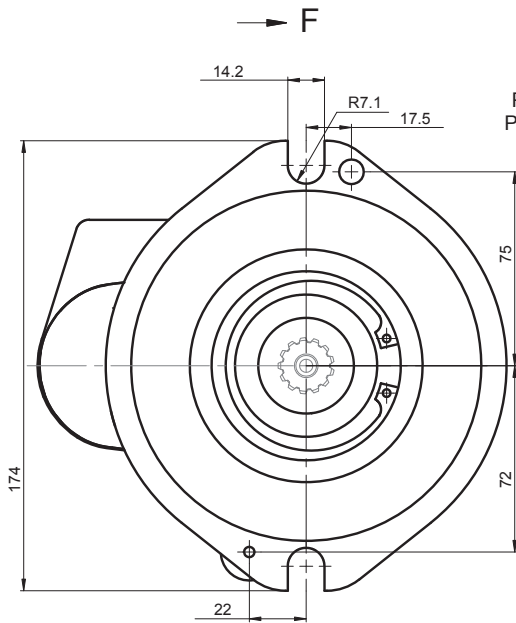
Overall Dimensions and Ports

Twin ports with side control port, port size 2,3 and 4

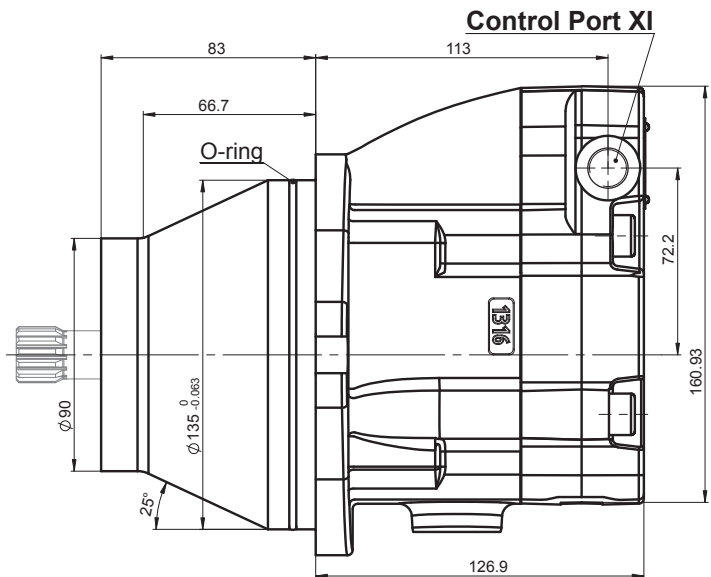
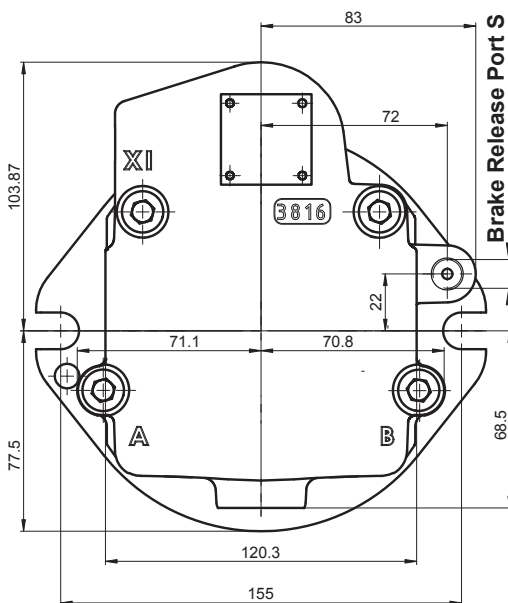
See the port sizes at the bottom of this page



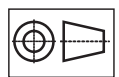
Standard Rotation
Viewed from shaft end
Port A Pressurized - CW
Port B Pressurized - CCW



Shaft Mounting
see page 10



	Port Size		
	2	3	4
P_(A,B)	2xG 3/4	2xM27x2	2x1 1/16-12 UN -2B
D	G 3/4	7/8-14 UNF-2B	3/4-16 UNF-2B
XI	G 1/8	7/16-20 UNF-2B	9/16-18 UNF-2B
S	G 1/8	7/16-20 UNF-2B	7/16-20 UNF-2B

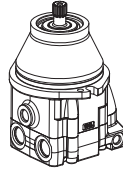


mm

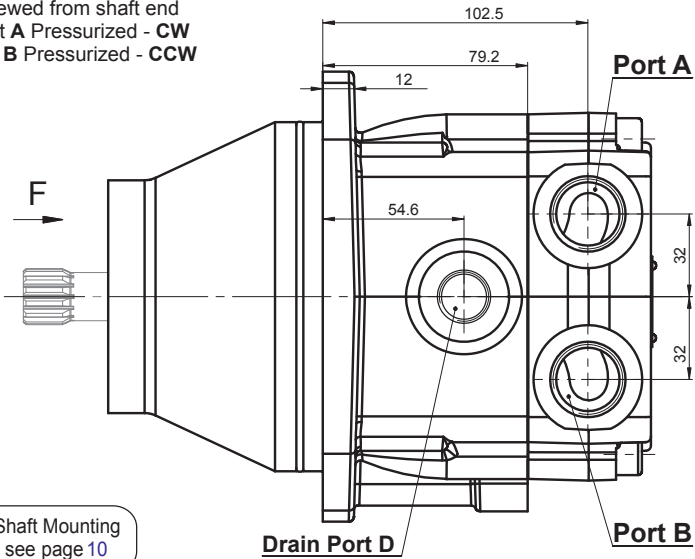
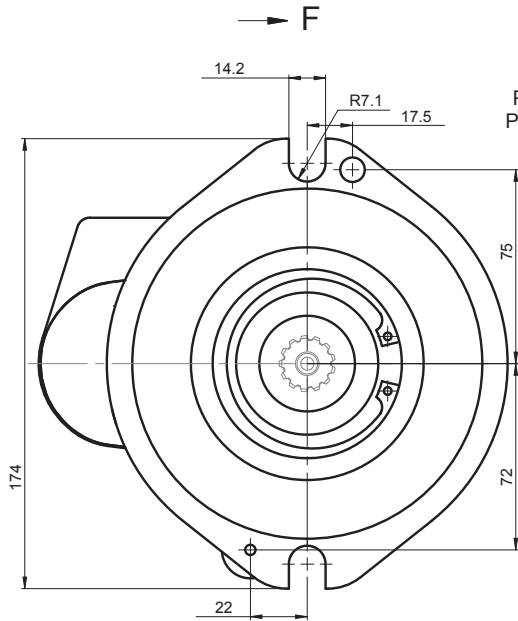
Overall Dimensions and Ports

Twin ports with rear control port, port size 2,3 and 4

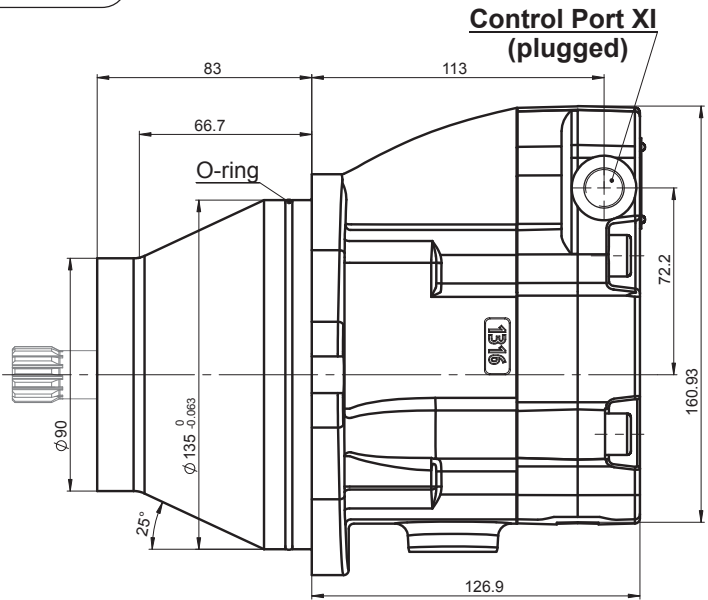
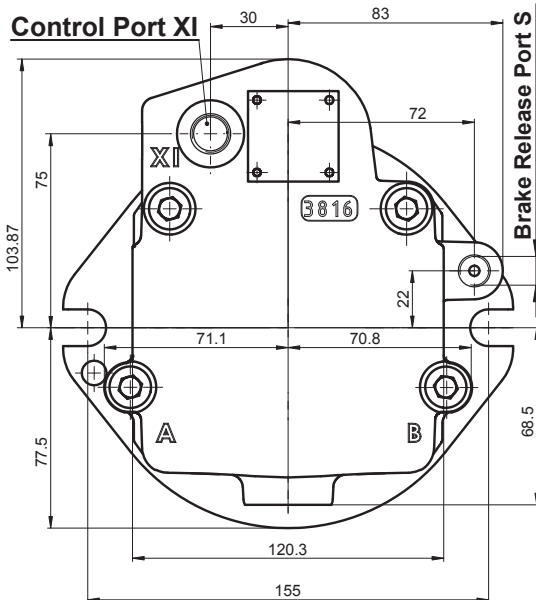
See the port sizes at the bottom of this page



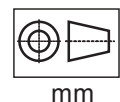
Standard Rotation
Viewed from shaft end
Port A Pressurized - CW
Port B Pressurized - CCW



Shaft Mounting
see page 10



	Port Size		
	2	3	4
P _(A,B)	2xG 3/4	2xM27x2	2x1 ¹ / ₁₆ -12 UN -2B
D	G 3/4	7/8-14 UNF-2B	3/4-16 UNF-2B
XI	G 1/8	7/16-20 UNF-2B	9/16-18 UNF-2B
S	G 1/8	7/16-20 UNF-2B	7/16-20 UNF-2B



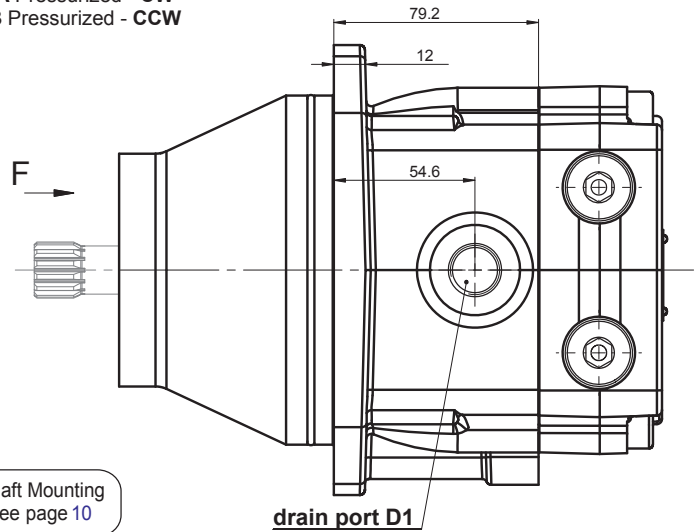
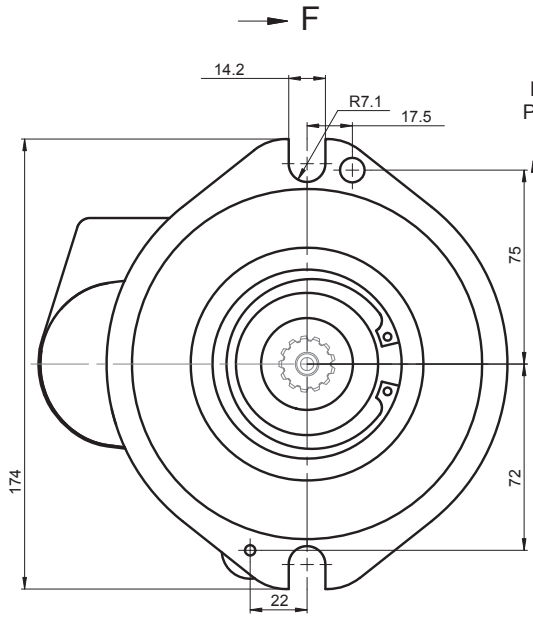
Overall Dimensions and Ports

Rear ports with rear control port, port size 2,3 and 4

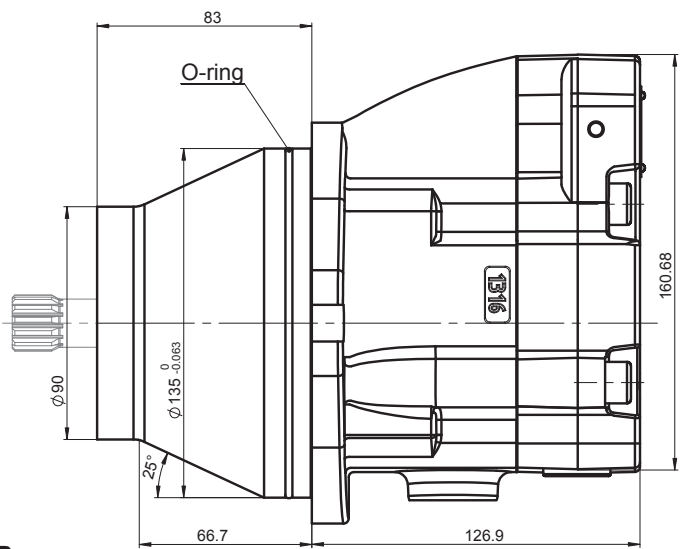
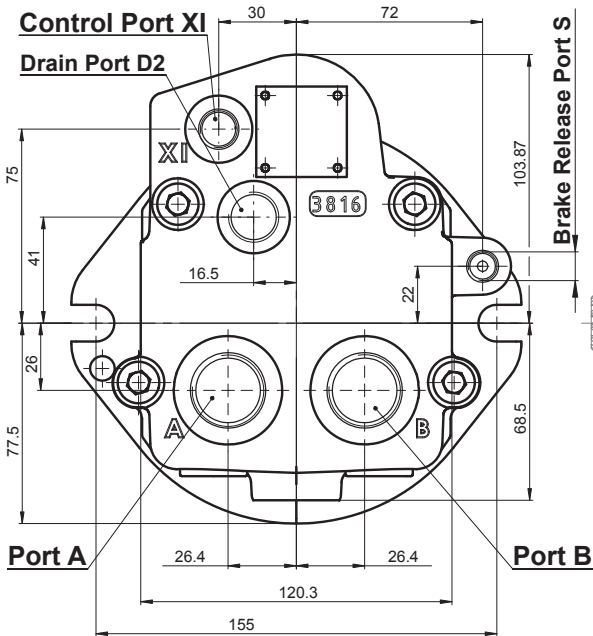
See the port sizes at the bottom of this page



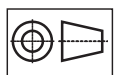
Standard Rotation
Viewed from shaft end
Port A Pressurized - CW
Port B Pressurized - CCW



Shaft Mounting
see page 10

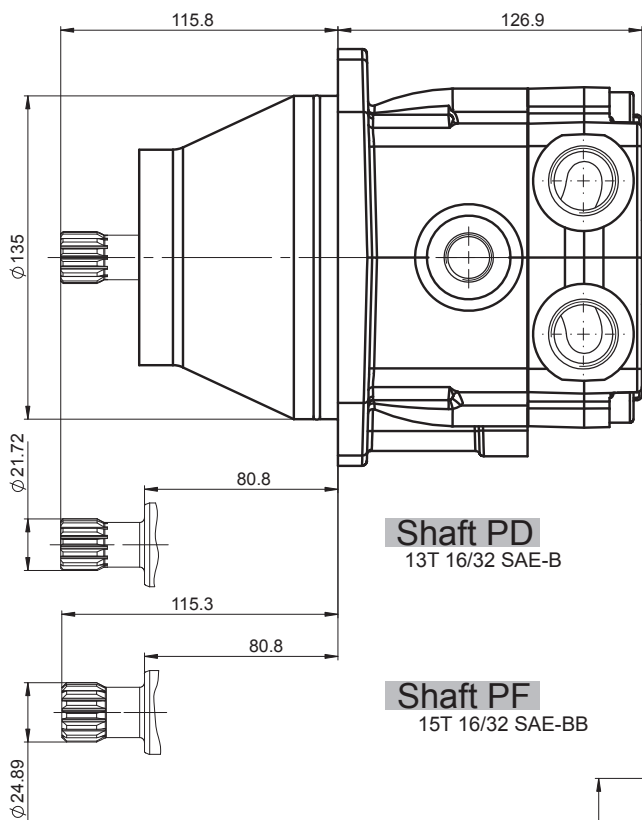


	Port Size		
	2	3	4
P_{A,B}	2xG 3/4	2xM27x2	2x1 ¹ / ₁₆ -12 UN -2B
D1	G 3/4	3/4-16 UNF-2B	3/4-16 UNF-2B
D2	G 1/2	7/8-14 UNF-2B	3/4-16 UNF-2B
XI	G 1/8	7/16-20 UNF-2B	9/16-18 UNF-2B
S	G 1/8	7/16-20 UNF-2B	7/16-20 UNF-2B



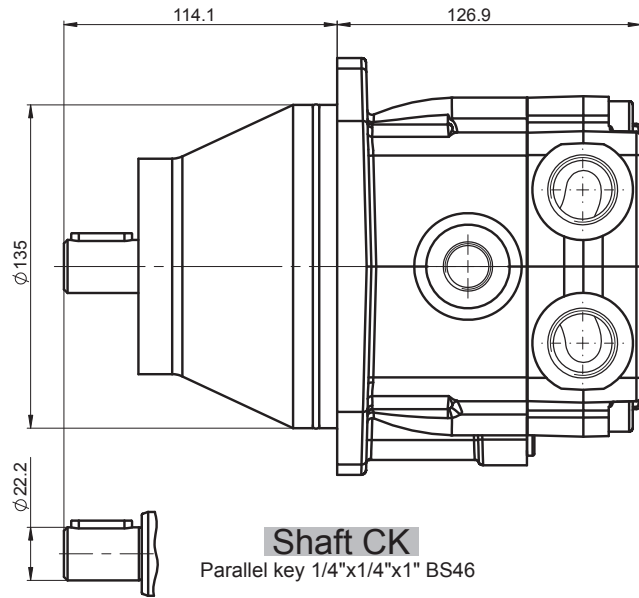
mm

Mounting Shafts

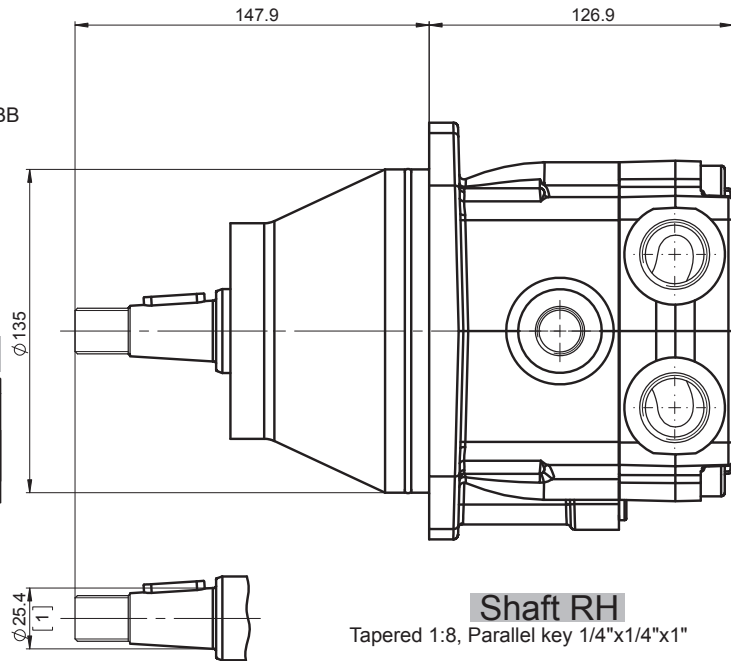


Shaft PD
13T 16/32 SAE-B

Shaft PF
15T 16/32 SAE-BB



Shaft CK
Parallel key 1/4"x1/4"x1" BS46



Shaft RH
Tapered 1:8, Parallel key 1/4"x1/4"x1"

Shaft Dimensions
See pages 14,15

PERMISSIBLE SHAFT LOAD

Permissible shaft load		Standard bearing	Improved bearing
max Axial	N[lb]	Fa=1000	Fa=2000
max Radial	N[lb]	Fr=350	Fr=3000

The calculated max values are based on the optimal direction of the forces Fr, Fa and optimal position of the shaft (see scheme below).

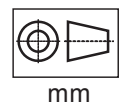
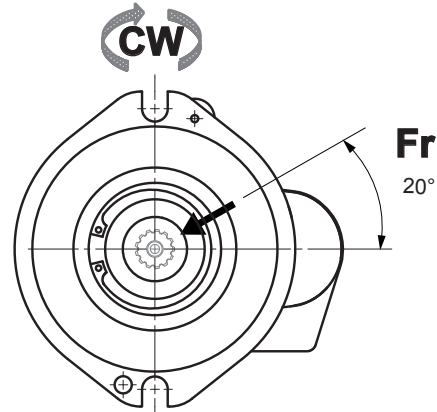
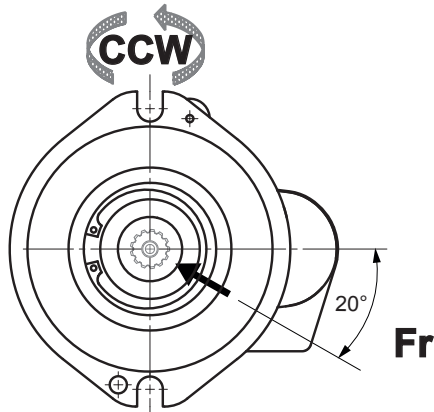
For more information, please, feel free to contact us.

BEST POSITION FOR APPLYING RADIAL LOAD

Optimal position for applying radial load depending on the direction of rotation

Reverse Rotation

Standard Rotation



ORDERING CODE

	1	2	3	4	5	6	7	8	9	10	11	12	13	14	15	15	15
TMV				-											[]

- Pos.1 - Mounting Flange**
omit - Wheel flange, cartridge - 2-Bolt flange
spigot diam. 135 mm - BC 155 mm
- Pos.2 - Port Type**
T - Twin side ports on one side, side control port
H - Twin side ports on one side, rear control port
E - Rear ports, rear control port
- Pos.3 - Max. Displacement Code*** (see table below)

Cross Reference Displacement Table

Pos.4 Min. Displacement cm ³ /n	Pos.3 Max. Displacement cm ³ /n				
	25	30	35	38	45
2	X	X	X	X	X
8	X	X	X	X	X
9	X	X	X	X	X
10	X	X	X	X	X
11	X	X	X	X	X
12	X	X	X	X	X
13	X	X	X	X	X
14	X	X	X	X	X
15	X	X	X	X	X
16	X	X	X	X	X
17	X	X	X	X	X
18	X	X	X	X	X
19	X	X	X	X	X
20	X	X	X	X	X
22		X	X	X	X
23		X	X	X	X
25		X	X	X	X
27			X	X	X
29			X	X	X
32				X	X

On Table are shown:
- Min./Max. Displacement Combinations
other combinations are possible

- Pos.4 - Min. Displacement Code*** (see table above)
- Pos.5 - Shaft Extensions****
PD - ø21,72 Spline SAE 13T 16/32 DP, 1/4-20 UNC-2B thread
PF - ø24.9 Spline SAE 15T 16/32 DP, 1/4-20UNC-2B thread
CK - ø22.2 Straight, M8-6H thread
Parallel key 1/4"x1/4"x1" BS46
RH - ø25.4 Tapered 1:8,
Parallel key 1/4"x1/4"x1", 3/4-16 UNF-2A
- Pos.6 - Improved radial load**
omit - standard bearing
N - Improved bearing

- Pos.7 - Port Size**
2 - 2xG3/4
3 - 2xM27x2
4 - 2x1_1/16 -12 UN

- Pos.8 - Seal, Corrosion Resistant Seal Surface**
omit - NBR seal type material
V - FKM seal type material

- Pos.9 - Integrated Valves**
See next page for information about valves
omit - None
PU - Purge valve
FLU - Flush valve
SAR - Single anti-cavitation and relief valve
SARF - Single anti-cavitation, relief and flush valve

- Pos.10 - Valves Port for Single Valves**
omit - None
A - Port A
B - Port B

- Pos.11 - Pressure Setting of Integrated Valves**
omit - None
x - For value - see next page

- Pos.12 - Flow Setting of Integrated Valves**
omit - None
Lx - For value - see next page

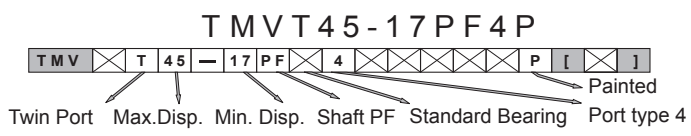
- Pos.13 - Special Features*****
omit - None
R2S - Speed Sensor Two Directional

- Pos.14 - Paint and Coating**
omit - No paint or coating
P - Painted
PC - Corrosion protected paint
If a painting option is required, the standard color is black-Alkyd-Styrenated Enamel, Black RAL 9005.
Other color by customer's request.

- Pos.15 - Design Series**
omit - Factory specified
* Other combination are available please ask on enquiry
** The permissible output torque for shafts must not be exceeded!
*** Available on enquiry

We remain open to meet your special requirements upon request.

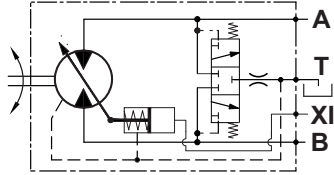
EXAMPLE



Valve Options

The overall dimensions of the motor with integrated valves could vary compared to the standard motors.

**Option PU
PURGE VALVE**



- Mainly used in open loop circuit;
- Used for cooling purpose or oil cleanliness requirements;
- Flow rate by **default (omit)** - 3.5 ÷ 4.9 l/min.
- For other options, please see Pos.12 of ordering code, considering the following possible values:

Pos.12

omit	L2	L6	L7.5
------	----	----	------

 → flow rate

EXAMPLE

TMVT45-17PF4PU

purge valve flow rate 4.2±0.7 l/min

TMVT45-17PF4PUL2

purge valve flow rate 2±2.5 l/min

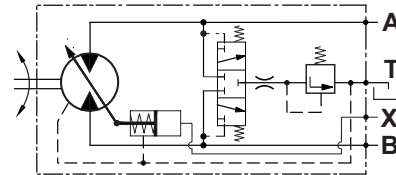
TMVT45-17PF4PUL7.5

purge valve flow rate 7.5±1 l/min

TMVT45-17PF4PUL6

purge valve flow rate 6±0.8 l/min

**Option FLU
FLUSH VALVE**



- Mainly used in closed loop circuit;
- The valve is a combination between a purge valve and relief valve;
- Flow rate by **default (omit)** - 3.5 ÷ 4.9 l/min and cracking (opening) pressure 10.3 bar with 15 bar feed pressure for closed loop circuit.
- For other options, please see Pos.11 and Pos. 12 of ordering code, considering the following possible values:

Pos.11

omit	7
------	---

 → pressure

Pos.12

omit	L2	L6	L7.5
------	----	----	------

 → flow rate

EXAMPLE

TMVT45-17PF4FLU

flow rate 4.2±0.7 l/min,
crack pressure 10.3 bar

TMVT45-17PF4FLU7L7.5

flow rate 7.5±1 l/min,
crack pressure 7 bar

TMVT45-17PF4FLUL2

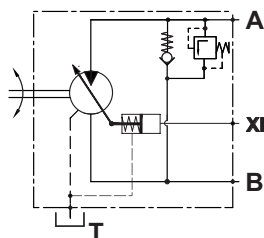
flow rate 2±2.5 l/min,
crack pressure 10.3 bar

Option SARA, SARB

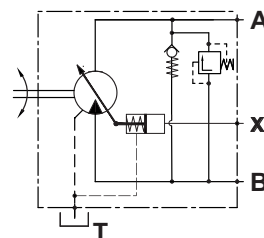
Combined Anti-Cavitation and Relief Valve

- Anti-cavitation check valve is used for applications such as fan drive control;
- Pressure relief valves prevent excessive pressures in high pressure loop.

SARA



SARB



Please, consider the following possible values:

Pos.11

280	300	345
-----	-----	-----

 → pressure

EXAMPLE

TMVT45-17PF4SARA280

Single Anti-Cavitation and Relief Valve, relief valve setting 280 bar
The valve is placed on port A

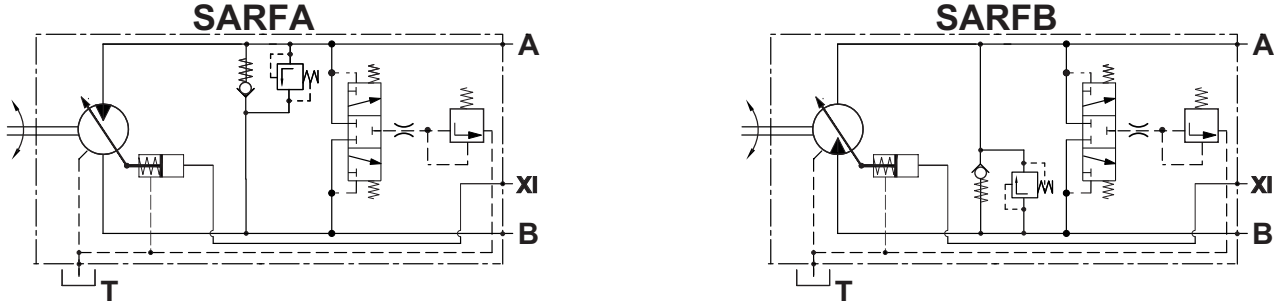
TMVT45-17PF4SARB300

Single Anti-Cavitation and Relief Valve, relief valve setting 300 bar
The valve is placed on port B

Valve Options

The overall dimensions of the motor with integrated valves could vary compared to the standard motors.

Option SARFA, SARFB
Single Anti-Cavitation, Relief and Flush Valve



- Mainly used in closed loop circuit;
- The valve is a combination between an anti-cavitation, relief and flush valve;
- Flush valve is used for cooling purpose or cleanliness requirements;
- Anti-cavitation check valve is used for applications such as fan drive control;
- Pressure relief valves prevent excessive pressures in high pressure loop;
- Please, consider the following possible values for pressure set of the relief valve:

Pos.11

280	300	345
-----	-----	-----

 → pressure

- Flow rate of flush valve by **default (omit)** - **3.5 ÷ 4.9 l/min and cracking pressure 10.3 bar** with 15 bar feed pressure for closed loop circuit. The possible values are as follow:

Pos.12

omit	L2	L6	L7.5
------	----	----	------

 → flow rate

- Other values for **cracking** pressure are possible. Please see Pos.11.
Example: For cracking pressure 7 bar the options are as follow:

Pos.11

280-7	300-7	345-7
-------	-------	-------

 Relief valve opening pressure Flush valve cracking pressure (charge pressure)

EXAMPLE

TMVT45-17PF4SARFA345
Single anti-cavitation, relief and flush valve, relief valve setting 345 bar
flush valve cracking pressure 10.3 bar, flush valve flow rate 4.2 ± 0.7 l/min
The valve is placed on port A

TMVT45-17PF4SARFB345-7
Single anti-cavitation, relief and flush valve, relief valve setting 345 bar
flush valve cracking pressure 7 bar, flush valve flow rate is 4.2 ± 0.7 l/min
The valve is placed on port B

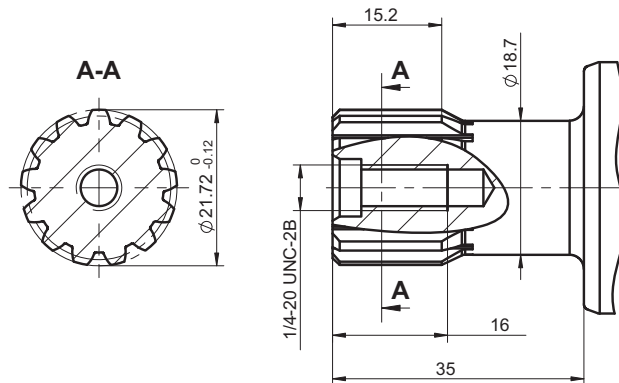
TMVT45-17PF4SARFA280L2
Single anti-cavitation, relief and flush valve, relief valve setting 280 bar
flush valve cracking pressure 10.3 bar, flush valve flow rate is 2 ± 2.5 l/min
The valve is placed on port A

TMVT45-17PF4SARFB300-7L7.5
Single anti-cavitation, relief and flush valve, relief valve setting 300 bar
flush valve cracking pressure 7 bar, flush valve flow rate 7.5 ± 1 l/min
The valve is placed on port B

Shaft Types and Dimensions

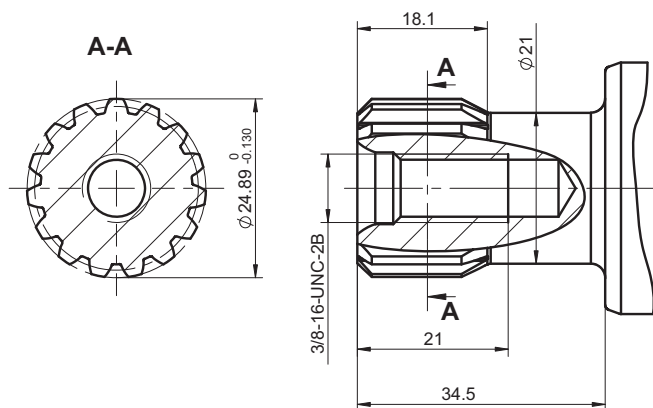
PD

$\phi 21.72$, 1/4-20 UNC-2B thread
SAE-B 13T 16/32 DP splined ANSI B92.1-1996
Max. torque 200 Nm

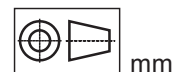


PF

$\phi 24.89$, 3/8-16 UNC-2B thread
SAE-BB 15T 16/32 DP splined ANSI B92.1-1970
Max. torque 330 Nm



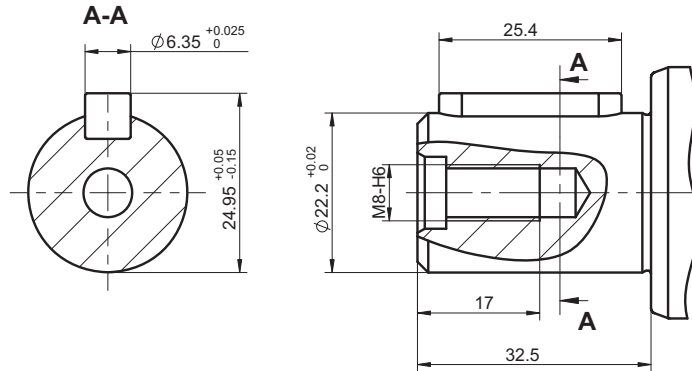
The required max. torque
must not be exceeded



Shaft Types and Dimensions

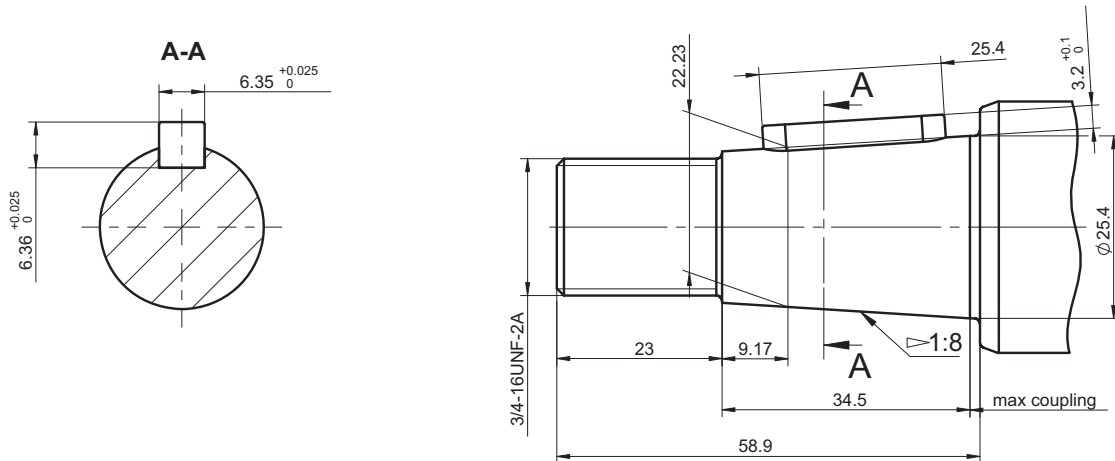
CK

$\phi 22.2$ straight, M8-6H thread
Parallel key 1/4"x1/4"x1"BS46
Max. torque 180 Nm

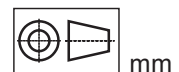


RH

$\phi 25.4$ Tapered 1:8,
Parallel key 1/4"x1/4"x1", 3/4-16 UNF-2A
Max. torque 300Nm



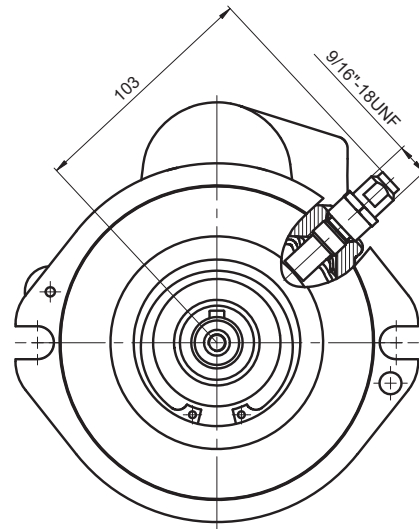
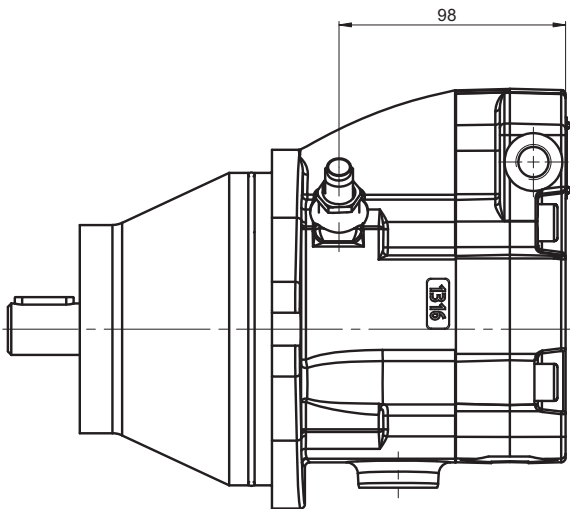
The required max. torque
must not be exceeded



Speed Sensors

MOUNTING DIMENSIONS

TMV



TECHNICAL DATA

Power supply	4.5 ... 30 VDC
Power consumption	< 15 mA
Pin connector	universal /PUSH-PULL/ 4P Delphi Connector DJ3042&-2.5-21
Output measurements	Speed, Direction
Output maximum current	100 mA
Resident output voltage	1.5 V for external current 100 mA 0.5 V without external load
Frequency range	0 ... 15 000 Hz
Protection	IP 67
Ambient Temperature	-40 ... + 100 °C
Humidity	0 ... 95% RH

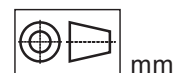
OUTPUT PULSES

per revolution

Motor Type	TMV
Output Pulses	45

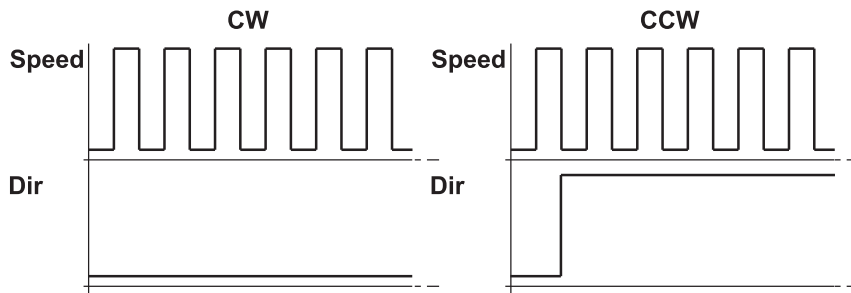
MOUNTING

Maximal mounting clearance is 1.5 mm
Maximal mounting torque 13 Nm
Sensor orientation should be kept according instruction

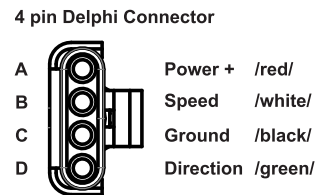


Speed Sensors

OUTPUT DIAGRAMS



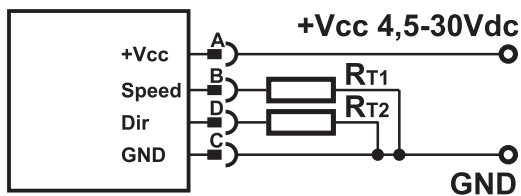
PIN CONNECTOR



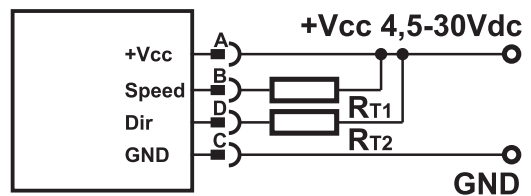
WIRING DIAGRAMS

Sensor could be in use for both type of connections - PNP or NPN

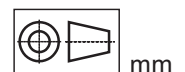
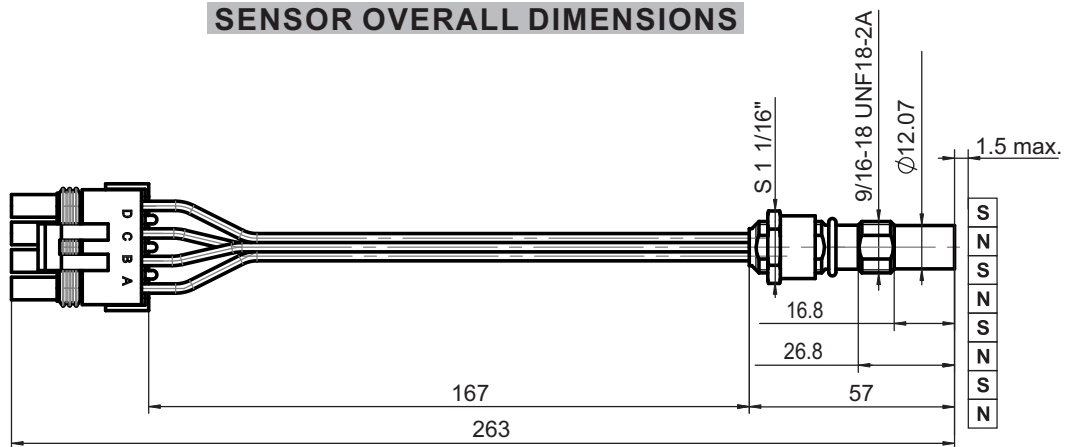
PNP



NPN



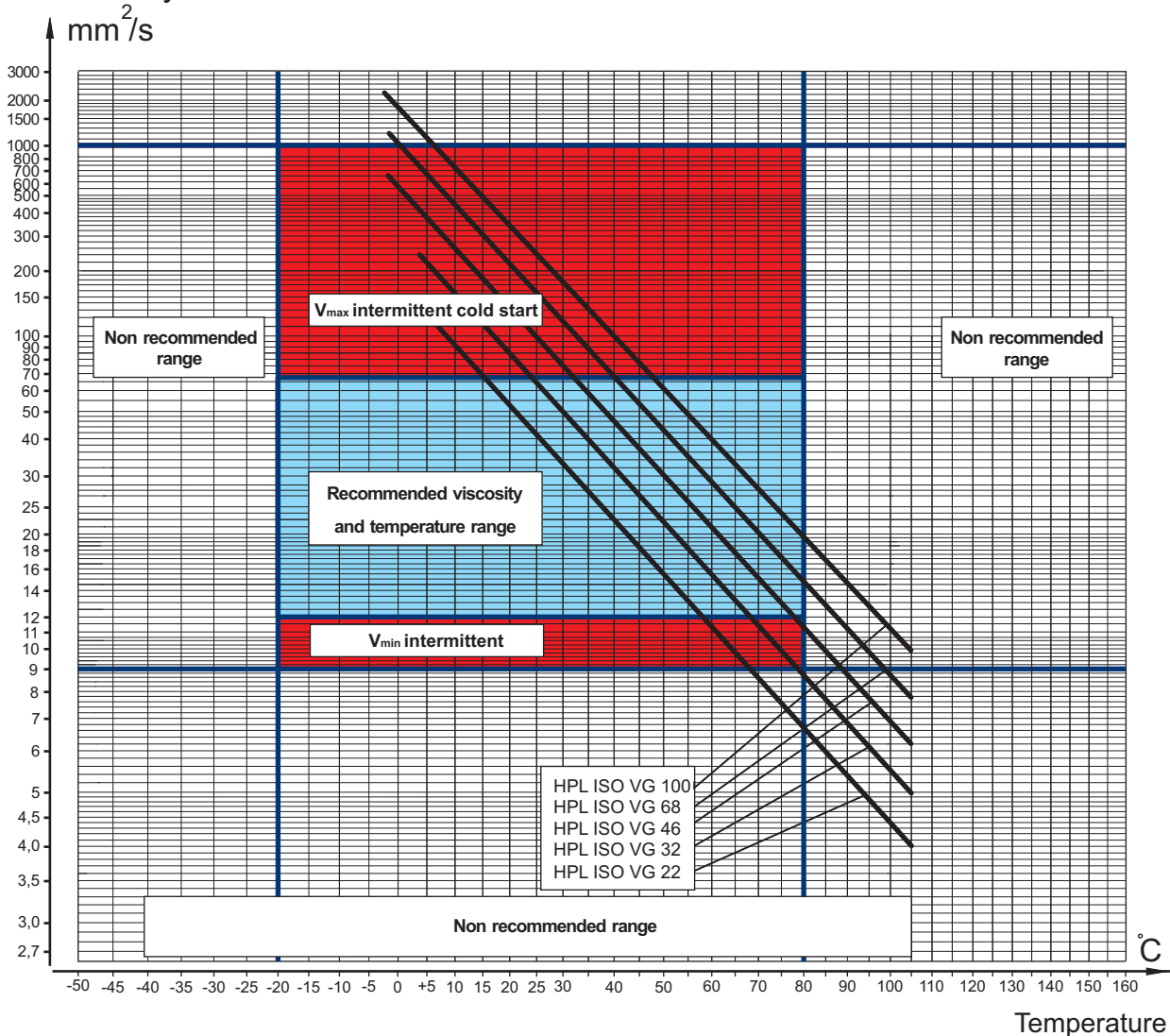
SENSOR OVERALL DIMENSIONS



Fluid Viscosity Limits

In order to obtain optimum efficiency and service life, we recommend to select the operating viscosity (at operating temperature) within the range shown on diagram below.

Kinematic viscosity



The above - shown viscosity characteristics are for reference only. Please, check the actual viscosity with the manufacturer of the fluid.

Basic Formula

The motor size, pressure and flow required for a specific application can be calculated using the formulas below.

	Metric System		Inch System
Efficiency	$\eta_t = \eta_{mh} \cdot \eta_v$ $\eta_{mh} = \frac{\eta_t}{\eta_v}$ $\eta_v = \frac{\eta_t}{\eta_{mh}}$		$\eta_t = \eta_{mh} \cdot \eta_v$ $\eta_{mh} = \frac{\eta_t}{\eta_v}$ $\eta_v = \frac{\eta_t}{\eta_{mh}}$
Input flow (for Motor)	$Q = \frac{Vg \cdot n}{1000 \cdot \eta_v}$ [l/min]		$Q = \frac{Vg \cdot n}{231 \cdot \eta_v}$ [GPM]
Output torque (for Motor)	$M = \frac{Vg \cdot \Delta p \cdot \eta_{mh}}{62.8}$ [Nm]		$M = \frac{Vg \cdot \Delta p \cdot \eta_{mh}}{2 \cdot \pi}$ [lb-in]
Output power (for Motor)	$P = \frac{M \cdot n}{9550} = \frac{Q \cdot \Delta p \cdot \eta_t}{60}$ [kW]		$P = \frac{Vg \cdot n \cdot \Delta p \cdot \eta_t}{396000}$ [hp]
Speed (for Motor)	$n = \frac{Q \cdot 1000 \cdot \eta_v}{Vg}$ [min ⁻¹]		$n = \frac{Q \cdot 231 \cdot \eta_v}{Vg}$ [min ⁻¹]
Output flow (for pump)	$Q = \frac{Vg \cdot n \cdot \eta_v}{1000}$ [l/min]		

Application Formula

Motor speed: n [min⁻¹]

$$n = \frac{2,65 \cdot v_{km} \cdot i}{R_m} \qquad n = \frac{168 \cdot v_{mi} \cdot i}{R_{in}}$$

v_{km} - vehicle speed [km/h]

v_{mi} - vehicle speed [mil/h]

R_m - wheel rolling radius [m]

R_{in} - wheel rolling radius [in]

i - gear ratio between motor and wheels.

If no gearbox, use $i=1$.

Radial motor loading: P_{rad} , N [lbs]

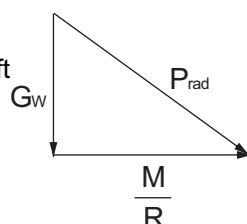
When the motor is used for motion with a pulley or gear mounted directly on the motor shaft, the total radial load of the motor shaft P_{rad} is the sum of the motion force and the weight force acting on pulley.

G_w - Weight held by the shaft

P_{rad} - Total radial load of the motor shaft

M/R - Motion force

$$P_{rad} = \sqrt{G_w^2 + \left(\frac{M}{R}\right)^2}$$



Total traction force: TE , N [lbs]

Total traction force TE is the total force necessary for vehicle motion i.e. the sum of the calculated forces increased by 10 % because of air resistance.

$$TE = 1,1 \cdot (RR + GR + FA + DP)$$

RR- force required to overcome the rolling resistance

GR- force required to slope upwards

FA- force required to accelerate (acceleration force)

DP- additional traction force (trailer)

Motor Torque moment: M , Nm [lb-in]

Necessary torque for the hydraulic motor:

$$M = \frac{TE \cdot R_m \cdot R_{in}}{N \cdot i \cdot \eta_M}$$

N - number of motors

η_M - mechanical gearbox efficiency (if it is available)

Depending on the results of the load calculations, the most appropriate type of motor from the catalogue is selected.

PUMPS



Closed Loop Axial Piston Pumps (Variable Displacement) - 6-110 cc

Model	Displacement cm ³ /n.	Rated Pressure MPa	Peak Pressure MPa	Maximum speed n/min.	Weight kg (single pump)
TPV 1100 TPV 1300	6, 8, 9, 11, 12, 13	30	35	3.600	8,8
	15, 17		30		
	18		30		
	19, 21	22	28	3.200	
TPV-TPVTC 1500	17, 18, 19, 21	35	40	3.600	14
TPV 3200	21, 28	25	35		22
TPV-TPVT 3600	26, 28, 30, 31, 32, 34, 36, 38	40	45		28
TPV 4300	32, 38, 45, 50	28	35		23
TPV 5000	46, 50, 64	30	40		29
TPV 9000	55	40	45		4.000
	72			4.100	68
	90			4.000	
	110			3.800	



Open Loop Axial Piston Pumps (Fixed Displacement) - 32-50 cc

Model	Displacement cm ³ /n.	Rated Pressure MPa	Peak Pressure MPa	Maximum speed n/min.	Weight kg (single pump)
TPF 60	35, 40, 46	35	42	2.800	20,5
	50		41	2.500	



Bent Axis Pumps - 12-130 cc

Model	Displacement cm ³ /n.	Rated Pressure MPa	Peak Pressure MPa	Maximum speed n/min.	Weight kg
TPB - TAP 70	12.6	35	40	3.300	7,5
	17.0			3.200	
	25.4			2.550	8,5
	34.2			2.250	
	41.2, 47.1			2.200	15,5
	56.0			2.100	
	63.6			2.050	
	83.6, 90.7, 108.0			1.700	27,0
	130.0			1.600	29,5

The table values can change in function of the configuration.

As HANSA-TMP has a very extensive range of products and some products have a variety of applications, the information supplied may often only apply to specific situations.

If the catalogue does not supply all the information required, please contact HANSA-TMP.

In order to provide a comprehensive reply to queries we may require specific data regarding the proposed application.

Whilst every reasonable endeavour has been made to ensure accuracy, this publication cannot be considered to represent part of any contract, whether expressed or implied.

The data in this catalogue refer to the standard product. The policy of HANSA-TMP consists of a continuous improvement of its products. It reserves the right to change the specifications of the different products whenever necessary and without giving prior information.



HANSA-TMP S.r.l.

Via M. L. King, 6 – 41122 Modena (ITALY)
Tel.: +39 059 415 711
Fax: +39 059 415 730
E-mail: hansatmp@hansatmp.it
Website: www.hansatmp.it

Certified Company

ISO 9001:2015 – ISO 14001:2015



Share Capital: € 300.000,00
VAT Number: IT01167360369
REA Number: MO-225785